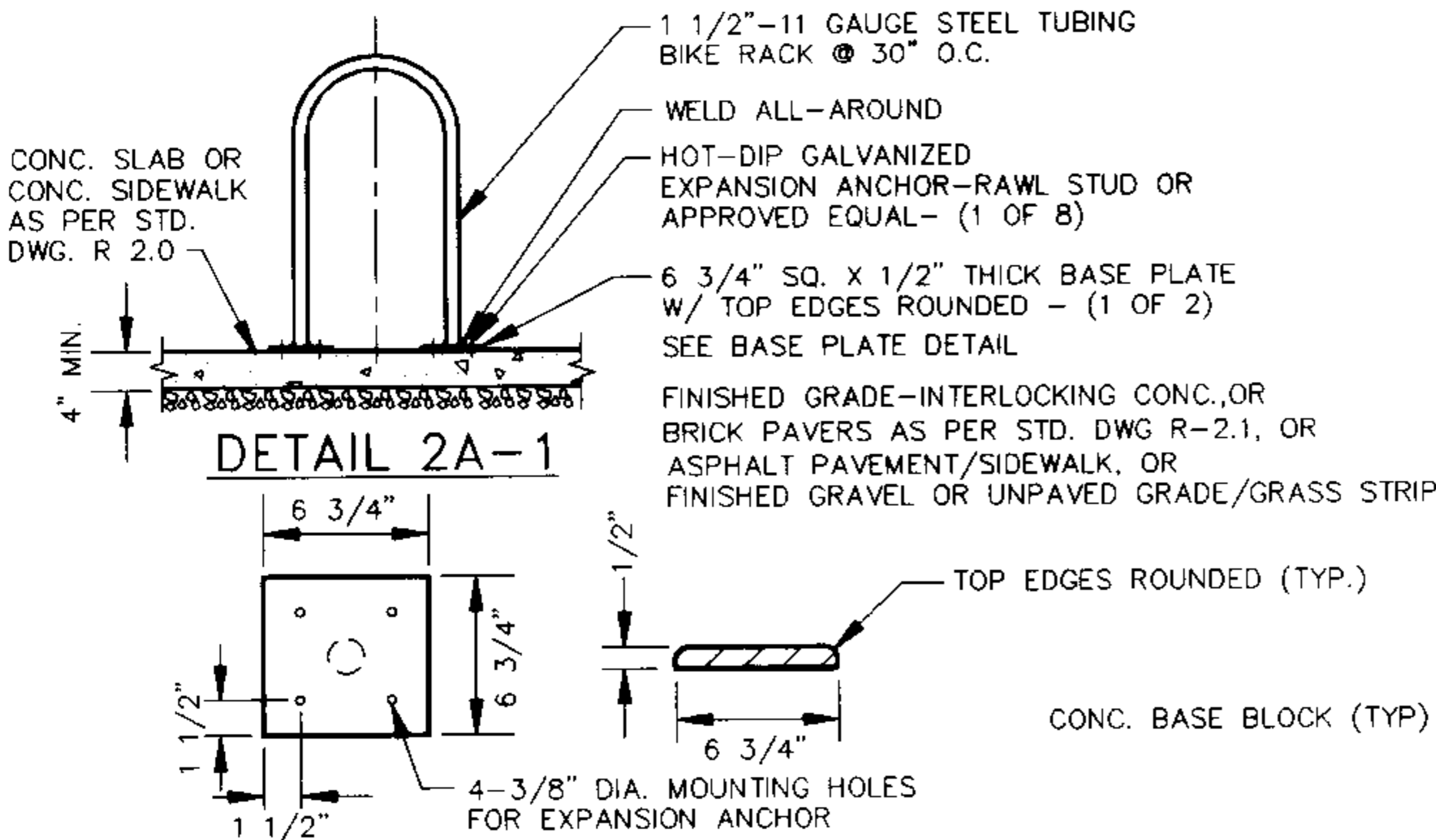
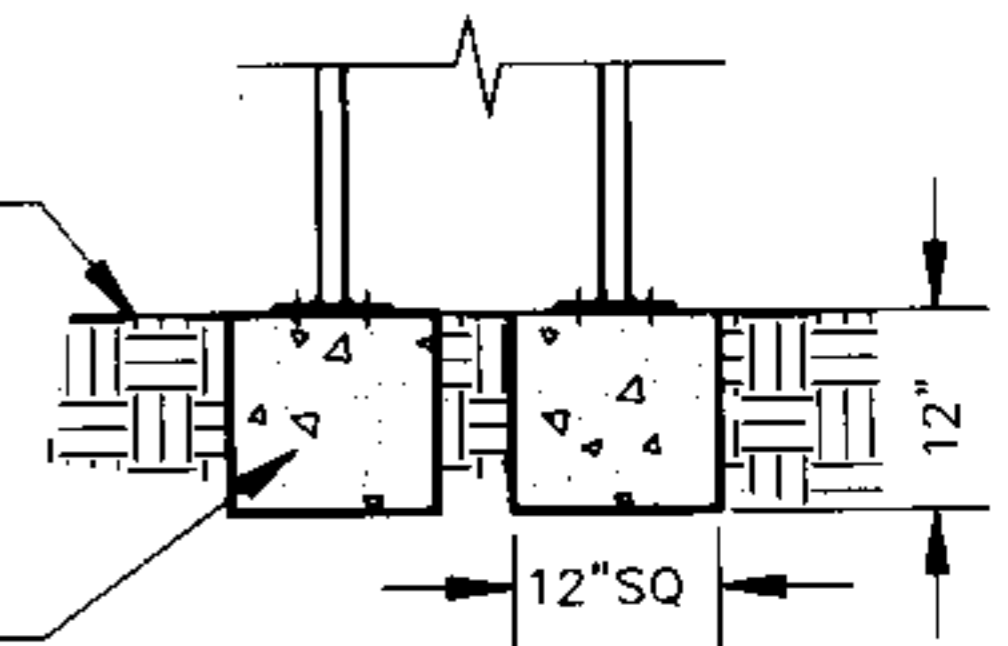


① WITHOUT BASE PLATE

- * FINISHED GRADE SHALL BE:
- a.) INTERLOCKING CONC. OR BRICK PAVERS AS PER STD. DWG. R-2.1, OR
 - b.) CONC. SLAB OR
 - c.) CONC. SIDEWALK AS PER STD. DWG. R-2.0, OR
 - d.) ASPHALT PAVEMENT/SIDEWALK, OR
 - e.) FINISHED GRAVEL, OR
 - f.) UNPAVED GRADE/GRASS STRIP

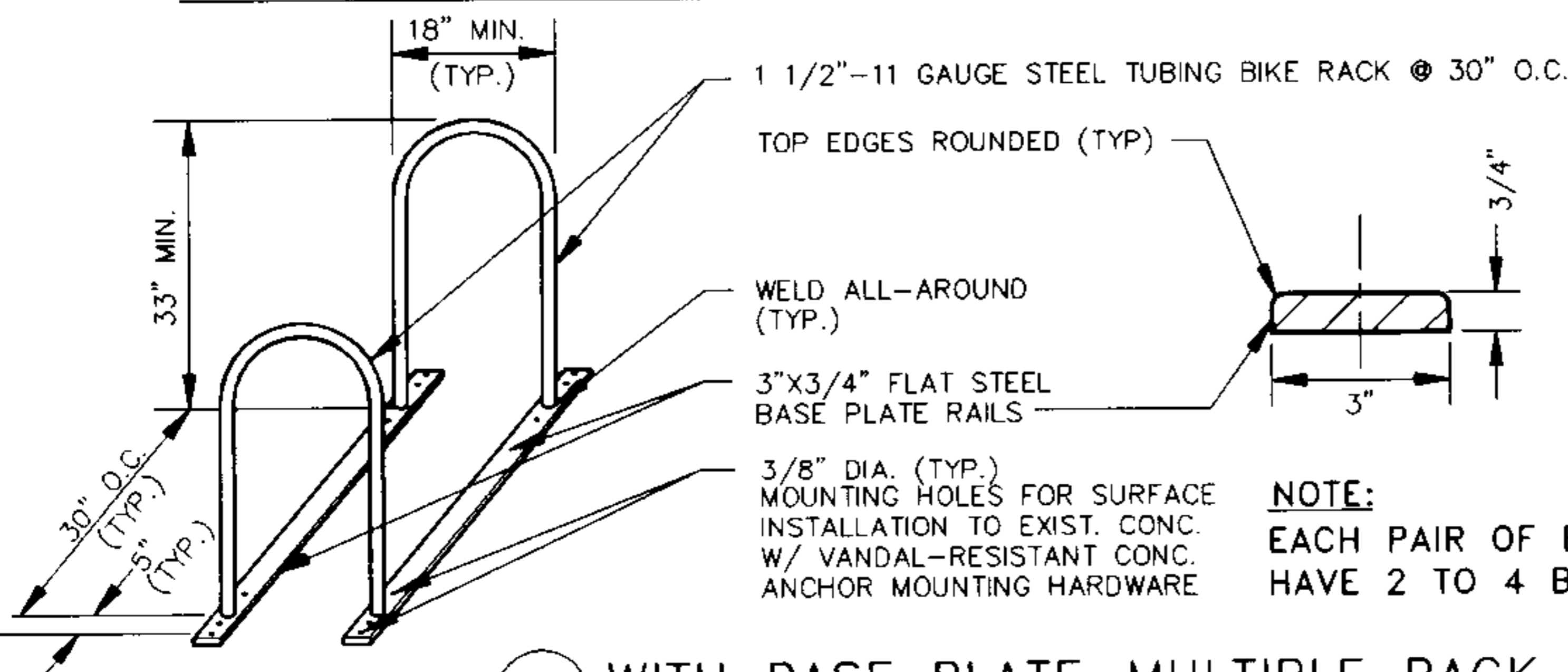


DETAIL 2A-1

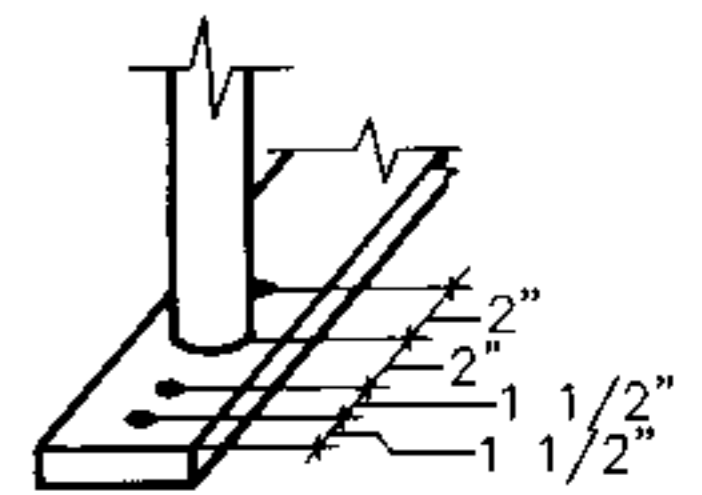


DETAIL 2A-2

BASE PLATE DETAIL ②A WITH BASE PLATE-INDIVIDUAL RACK
(FOR OTHER DETAILS SEE ① ABOVE)



②B WITH BASE PLATE-MULTIPLE RACK



MOUNTING HOLES
DETAIL

NOTE:
EACH PAIR OF BASE PLATE RAILS MAY HAVE 2 TO 4 BIKE RACKS

- NOTES:**
1. ALL CONC. SHALL BE TYPE A-3 (V.D.O.T.)
 2. ALL RACKS & BASE PLATES SHALL BE HOT-DIP GALVANIZED OR FINISHED WITH GLOSS BLACK POLYESTER POWDER COAT BEFORE MOUNTING IN PLACE

BIKE RACK

REVISION & DATE

R. Ken
DIRECTOR
8/30/96
DATE



ARLINGTON COUNTY, VIRGINIA
DEPARTMENT OF PUBLIC WORKS

DRAWING NO.
R-8.0